

IMPORTANT SAFETY INSTRUCTIONS

- Be sure the electricity to the system you are working on is turned off; either the fuse removed or the circuit breaker set at off.
- Use of other manufacturers components will void warranty, listing and create a potential safety hazard.
- If you are unclear as to how to proceed, contact a qualified electrician.
- You don't need special tools to install this fixture.
- Be sure to follow the steps in the order given.
- Read instructions carefully.
- Save these instructions.

CLEANING

To clean, wipe fixture body with a soft cloth. Clean glass with a mild soap. Do not use abrasive materials such as scouring pads or powders, steel wool or abrasive paper.

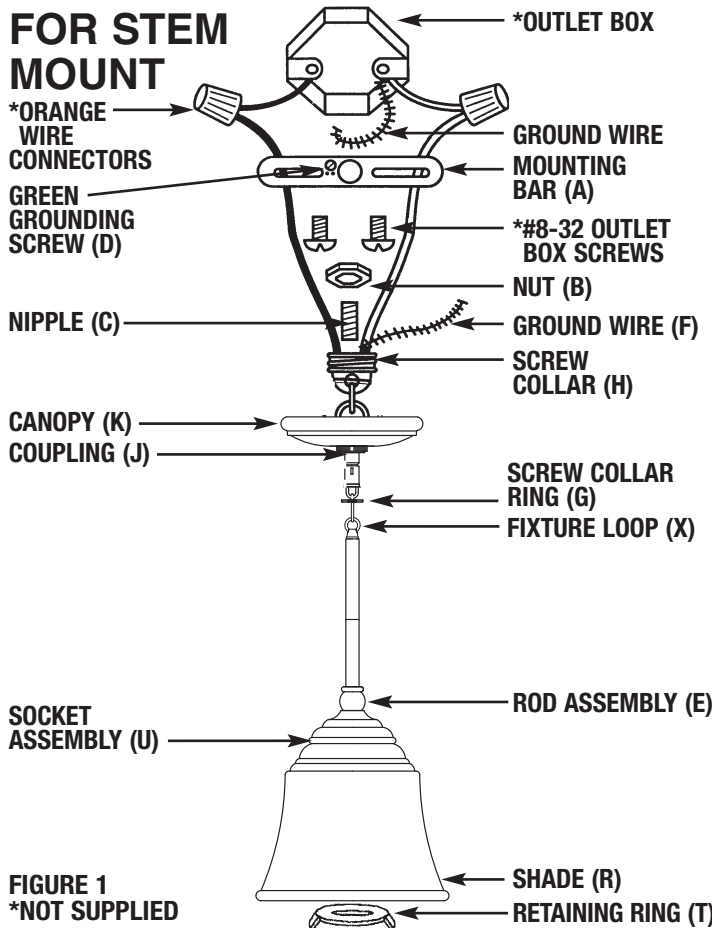
ORDERING PARTS

Keep this sheet for future reference, and in case you need to order replacement parts. Parts for this fixture can be ordered from place of purchase. Be sure to use exact wording from illustration when ordering parts.

BEFORE YOU BEGIN

Carefully remove the fixture from the carton and check that all parts are included, as shown in Figures 1 & 2. Be careful not to misplace any of the screws or parts which are needed to install this fixture.

FOR STEM MOUNT



FOR STEM MOUNT – REFER TO FIGURE 1

STEP 1: Secure mounting bar (A) to outlet box using outlet box screws. Thread nut (B) to nipple (C) so five threads are exposed past nut (B). Thread nipple (C) to mounting bar (A) and secure by threading nut (B) to mounting bar (A). Thread screw collar (H) to nipple (C).

STEP 2: Assemble rod assembly (E) by threading desired number of rods together.

STEP 3: Feed the fixture wire from the socket assembly (U), through the rod assembly (E). Thread rod assembly (E) to socket assembly (U), and slide screw collar ring (G) to socket assembly (U). Feed fixture wire through coupling (J) (mounted on canopy (G)), and screw collar (H).

STEP 4: Secure rod assembly (E) to coupling (J). Be sure not to damage the fixture wire.

GROUNDING AND MOUNTING BAR LOCK UP

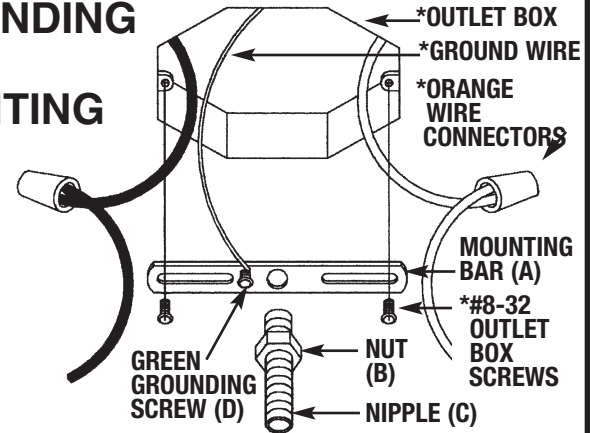


FIGURE 2

*NOT SUPPLIED

FOR CHAIN HUNG

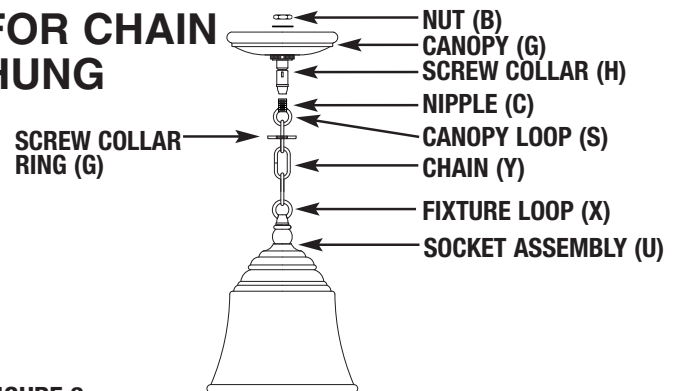


FIGURE 3

ASSEMBLY FOR CHAIN HUNG – REFER TO FIGURE 2

STEP 1: Using 2 pair of pliers, open one link of chain (Y) and connect it to the fixture loop (X) at the top of the fixture. If installing with both chain (Y) and stems connect first loop of chain (Y) to fixture loop at top of rod assembly (E).

STEP 2: Slide collar ring (O) and canopy (K) (in that order) to the socket assembly (U).

STEP 3: Open one link of chain on the other end of chain (Y) and connect it to the canopy loop (S).

BE SURE TO CLOSE ALL CHAIN LINKS COMPLETELY.

INSTALLATION

HC-1054

IMPORTANT: DO NOT ATTACH FIXTURE DIRECTLY TO OUTLET BOX.

FOR CHAIN HUNG ONLY

STEP 1:

Secure mounting bar (A) to outlet box using outlet box screws. Thread nut (B) to nipple (C) so five threads are exposed past nut (B). Thread nipple (C) to mounting bar (A) and secure by threading nut (B) to mounting bar (A).

STEP 2:

Thread screw collar (H) and canopy loop (S) to nipple (C).

STEP 3:

Install fixture loop (X) onto socket assembly (U).

STEP 4:

Feed the fixture wire from the socket assembly (U), through the fixture loop (X), canopy loop (S) (mounted on canopy (G)), and screw collar (H).

WIRING

STEP 1:

- A.** Use an orange listed wire connector to connect the 18AWG fixture hot wire (black wire, or round and smooth tracer) to the supply hot wire.
- B.** Use an orange listed wire connector to connect the 18AWG fixture common wire (white wire, or square and rigid) to the supply common wire.
- C.** Gently try to remove the wires from the connector. If you can remove the wires, carefully re-do the wiring connection.

STEP 2:

GROUNDING INSTRUCTIONS: The green grounding screw (D) is to be inserted into the hole with two raised dimples provided on the mounting bar (A). Wrap the ground wire from the outlet box (bare metal or green insulated wire) around the green grounding screw (D) on the mounting bar (A) and tighten the green grounding screw to secure.

NEVER CONNECT GROUND WIRE TO BLACK OR WHITE POWER SUPPLY WIRES.

FINAL ASSEMBLY

Make sure no bare wires can be seen outside wire connectors.

STEP 1:

After wires are connected, tuck them carefully inside outlet box and then raise the canopy (K) against the ceiling. Thread screw collar ring (G) to screw collar (E).

STEP 2:

Raise shade (R) to socket assembly (U). Secure by threading retaining ring (T) onto socket.

STEP 3:

Install lamp.