

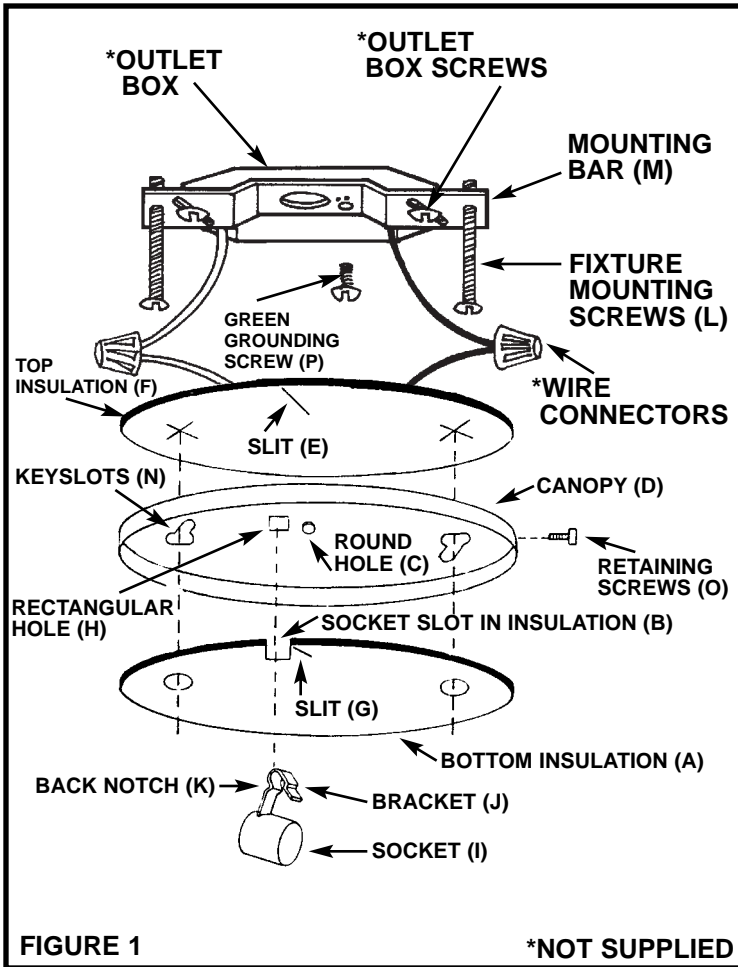
# INSTALLATION AND SAFETY INSTRUCTIONS

## FOR YOUR SAFETY

**WARNING: BE SURE THE ELECTRICITY TO THE WIRES YOU ARE WORKING ON IS SHUT OFF. EITHER THE FUSE REMOVED OR THE CIRCUIT BREAKER OFF.**

## GENERAL

You don't need special tools to install this fixture. Be sure to follow the steps in the order given. Under no circumstances should a fixture be hung on house electrical wires, nor should a swag type fixture be installed on a ceiling which contains a radiant type heating system. Read instructions carefully. **If you are unclear as to how to proceed, consult a qualified electrician.**



## ASSEMBLY

Carefully remove the fixture from the carton and check that all parts are included, as shown in Figure 1 & 2. Be careful not to misplace any of the screws or parts which are needed to install this fixture.

### STEP 1:

Twist ends of socket wires together.

### STEP 2:

**NOTE: USE CARE NOT TO DAMAGE INSULATION.** Gently pull back bottom insulation (A) at slit (G).

### STEP 3:

Pass wires through round hole (C) in canopy (D) and slit (E) in top insulation (F).

### STEP 4:

Gently press bottom insulation (A) back in place. Be sure socket wires are inside slit (G) so that insulation sits properly on pan.

### STEP 5:

Install socket (I) in rectangular hole (H) by placing bracket (J) on an angle to engage the back notch (K). Pull forward to snap in.

**WARNING: FOR FIXTURES PROVIDED WITH 75° C OR 90° C SUPPLY WIRE WARNING ONLY (THESE WARNINGS ARE PROVIDED ON THE U.L. LABEL AND ON THE FIXTURE CARTON).**

**WARNING: RISK OF FIRE. MOST DWELLINGS BUILT BEFORE 1985 HAVE SUPPLY WIRE RATED 60° C. CONSULT A QUALIFIED ELECTRICIAN BEFORE INSTALLING.**

**IF SUPPLY WIRES ARE LOCATED WITHIN 3" OF BALLAST, USE WIRE RATED FOR AT LEAST 90°C.**



**sea gull lighting®**

**Installation And Safety  
Instruction**

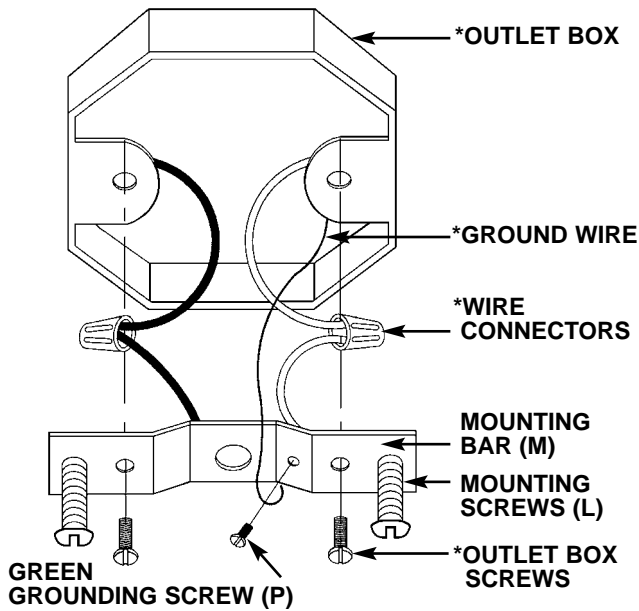
**HC-105**

**092800**

Fill In Item Number On Carton And  
File This Sheet For Fixture Reference. ITEM# \_\_\_\_\_

**IMPORTANT: DO NOT ATTACH FIXTURE DIRECTLY TO OUTLET BOX.**

**GROUNDING AND MOUNTING BAR LOCK UP**



**\*NOT INCLUDED**

**FIGURE 2**

NOTE: FIGURE 1 ILLUSTRATES THE INSTALLATION OF YOUR NEW LIGHTING FIXTURE. THIS IS A REPRESENTATIVE DRAWING AND MAY NOT MATCH THE STYLE OF YOUR FIXTURE.

**STEP 1:**

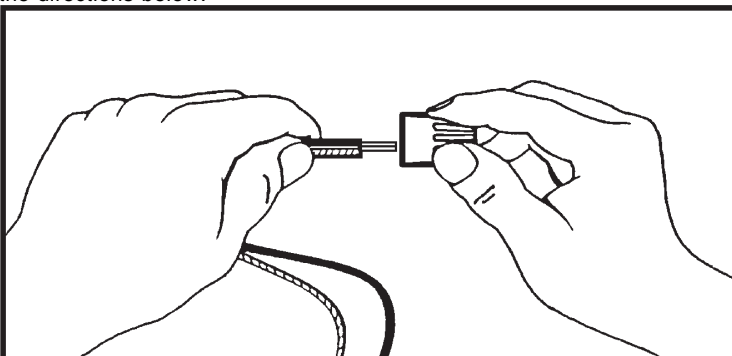
Secure mounting bar (M) to outlet box with outlet box screws (not supplied). Raised side is top as illustrated.

**STEP 2:**

Thread fixture mounting screws (L) into threaded holes of mounting bar (M) 3 turns each.

**STEP 3:**

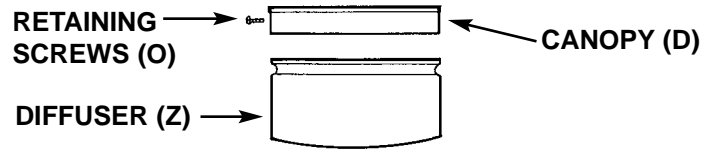
A. Take note of the color of the wire(s) on your fixture. Identify which group your fixture wire(s) falls into and connect the wires according to the directions below:



GROUP A: CONNECT TO BLACK HOUSE WIRE	GROUP B: CONNECT TO WHITE HOUSE WIRE
BLACK	WHITE
*PARALLEL WIRE (ROUND & SMOOTH)	*PARALLEL WIRE (SQUARE & RIDGED)
WHITE OR GREY WITH TRACER	WHITE OR GREY WITHOUT TRACER
BROWN, GOLD OR BLACK WITHOUT TRACER	BROWN, GOLD OR BLACK WITH TRACER

**INSTALLATION**

**FIG. 3**



\*NOTE: When parallel wire is used, the tracer wire is square shaped or ridged, and the less tracer wire is round in shape or smooth. (Seen best when viewed from wire end.) To separate wires, grasp the ends of each wire and pull apart.

- B. Take your fixture wire(s) from group A and place evenly against the black wire from the outlet box. **Do Not** twist wires together before using wire connectors.
- C. Fit a wire connector (not supplied) over the wires and screw the connector clockwise until you feel a firmness.
- D. Try gently to pull the connector off the wires. If you can pull the connector off, carefully re-do steps B and C, as above, and check again for a firm connection.
- E. Connect the fixture wire from group B to the white wire from the outlet box in the same manner.

**STEP 4:**

**GROUNDING INSTRUCTIONS:** The green grounding screw (P) is to be inserted into the hole with two raised dimples provided on the mounting bar (M). Wrap the ground wire from the fixture (if supplied) and the ground wire from the outlet box (bare metal or green insulated wire) around the green grounding screw (P) on the mounting bar (M) if uninsulated wire is on the mounting bar (M), connect the ground wire from the fixture (if supplied) and the outlet box to it using a small wire connector (not supplied).

NOTE: Underwriters Laboratories (U.L.) does not require all fixtures to have ground wires. These fixtures still meet all UL specifications. The listing mark of Underwriters on the product identifies products manufactured under its listing and Follow-Up Service Programs.

**NEVER CONNECT GROUND WIRE TO BLACK OR WHITE POWER SUPPLY WIRES.**

**FINAL ASSEMBLY**

**Make sure no bare wires can be seen outside wire connectors.**

**STEP 1:**

After wires are connected, tuck them carefully inside outlet box. Raise the canopy (D) to the ceiling allowing for mounting screws (L) to protrude through key slots. Rotate canopy (D) clockwise until screws (L) are in narrow part of keyslot. Tighten screws (L) with screwdriver.

**STEP 2:**

Install lamps.

**STEP 3:** (SEE FIG. 3)

Thread three diffuser retaining screws (O) into inside of canopy (D). Raise diffuser and finger tighten screws.

**CLEANING**

To clean, wipe fixture with a soft cloth. Clean glass with a mild soap. Do not use abrasive materials such as scouring pads or powders, steel wool or abrasive paper.

**ORDERING PARTS**

Keep this sheet for future reference, and in case you need to order replacement parts. All parts for this fixture can be ordered from place of purchase. Be sure to use exact wording from illustration when ordering parts.