

INSTALLATION AND SAFETY INSTRUCTIONS

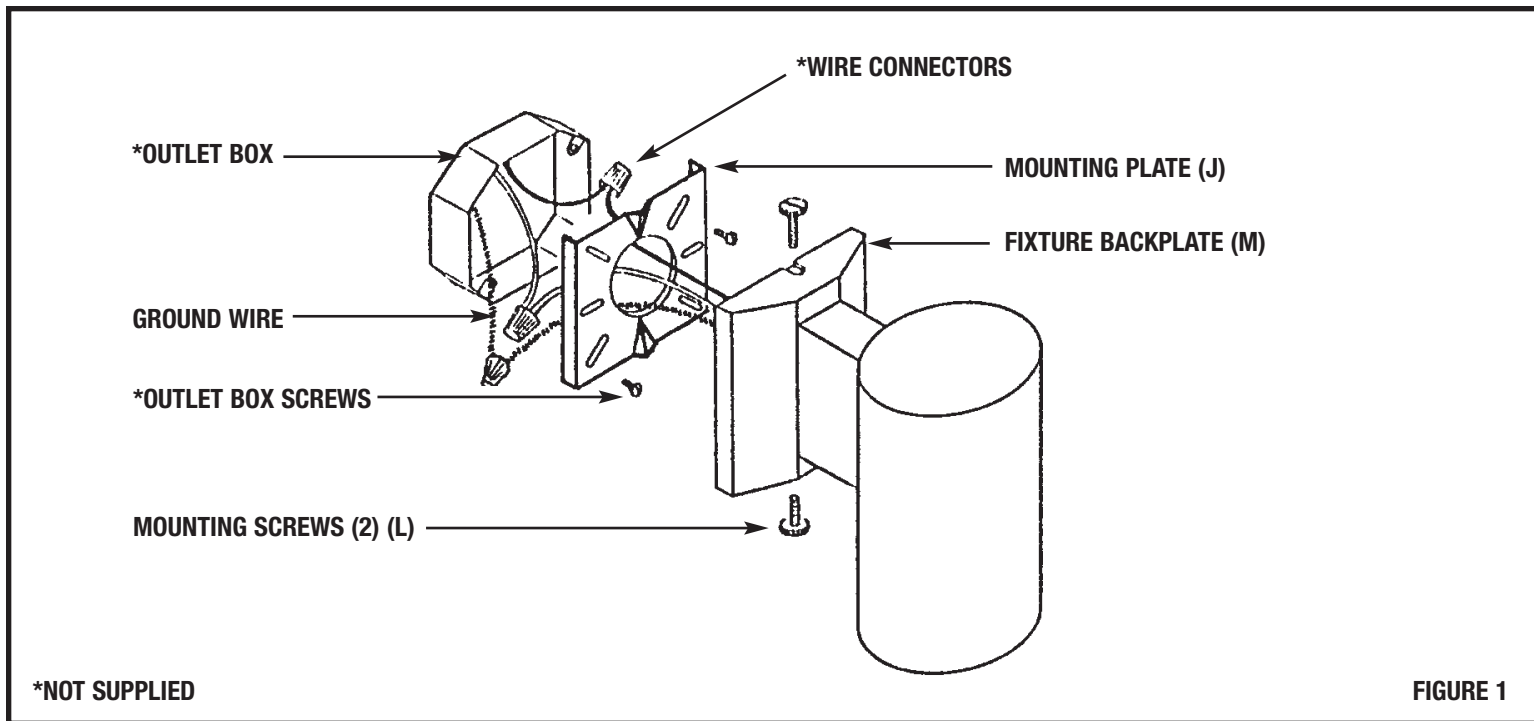
IMPORTANT SAFETY INSTRUCTIONS

- Be sure the electricity to the system you are working on is turned off; either the fuse removed or the circuit breaker set at off.
- Use of other manufacturers components will void warranty, listing and create a potential safety hazard.
- If you are unclear as to how to proceed, contact a qualified electrician.
- You don't need special tools to install this fixture.
- Be sure to follow the steps in the order given.
- Read instructions carefully.
- Save these instructions.

BEFORE YOU BEGIN

Carefully remove the fixture from the carton and check that all parts are included, as shown in Figures 1 & 2. Be careful not to misplace any of the screws or parts which are needed to install this fixture.

CAUTION: Fixtures with photo-cells should be mounted at least 48" from all sides to avoid reflection of light back onto photo cell, causing the photo-cell to malfunction or flicker.



NOTE: FOR FIXTURES PROVIDED WITH 75°C OR 90°C SUPPLY WIRE WARNING ONLY-(THESE WARNINGS ARE PROVIDED ON THE LABEL AND ON THE FIXTURE CARTON): RISK OF FIRE. MOST DWELLINGS BUILT BEFORE 1985 HAVE SUPPLY WIRE RATED 60°C. CONSULT A QUALIFIED ELECTRICIAN BEFORE INSTALLING.

IF SUPPLY WIRES ARE LOCATED WITHIN 3" OF BALLAST, USE WIRE RATED FOR AT LEAST 90°C.



sea gull lighting®
**Installation And
Safety Instruction**
HC-1040 111607

Line art shown may not exactly match the fixture enclosed.
However, the installation instructions do apply to this fixture.
Fill In Item Number On Carton And
File This Sheet For Fixture Reference. ITEM# _____

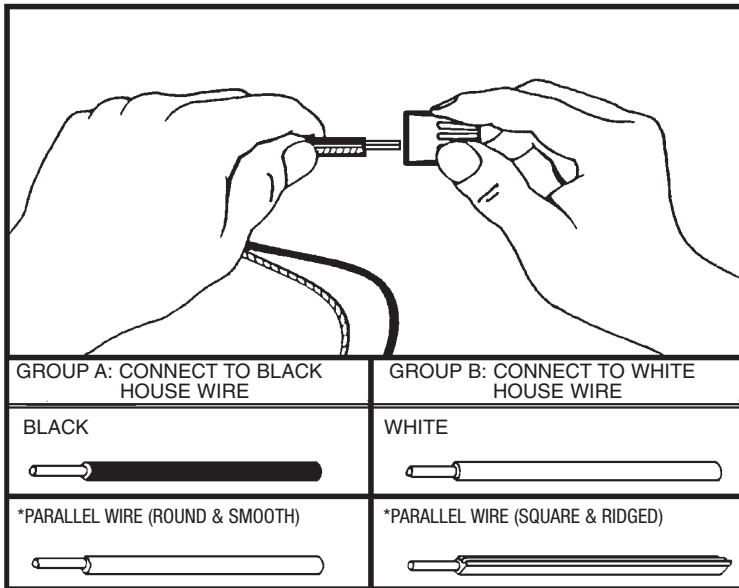
IMPORTANT: DO NOT ATTACH FIXTURE DIRECTLY TO OUTLET BOX.

STEP 1:

Place mounting plate (J) against outlet box (not supplied) and secure in place using outlet box screws (not supplied).

STEP 2:

A. Take note of the color of the wire(s) on your fixture. Identify which group your fixture wire(s) falls into and connect the wires according to the directions below:



*NOTE: When parallel wire is used, the tracer wire is square shaped or ridged, and the less tracer wire is round in shape or smooth. (Seen best when viewed from wire end.) To separate wires, grasp the ends of each wire and pull apart.

- B. Take your fixture wire(s) from group A and place evenly against the black wire from the outlet box. **Do Not** twist wires together before using wire connectors.
- C. Fit a wire connector (not supplied) over the wires and thread the connector clockwise until you feel a firm resistance.
- D. Gently try to remove the wires from the connector. If you can remove the wires, carefully re-do steps B and C, as above, and check again for a firm connection.
- E. Connect the fixture wire from group B to the white wire from the outlet box in the same manner.

STEP 3:

GROUNDING INSTRUCTIONS: The green grounding screw is to be inserted into the hole with two raised dimples provided on the mounting plate. Wrap the ground wire from the fixture (if supplied) and the ground wire from the outlet box (bare metal or green insulated wire) around the green grounding screw on the mounting plate. If uninsulated ground wire is on the mounting plate, connect the ground wire from the fixture (if supplied) and the outlet box to it using a small wire connector (not supplied).

NEVER CONNECT GROUND WIRE TO BLACK OR WHITE POWER SUPPLY WIRES.

FINAL ASSEMBLY

Make sure no bare wires can be seen outside wire connectors.

STEP 1:

After wires are connected, tuck them carefully inside the outlet box. Position backplate (M) over mounting plate (J) and secure in place with mounting screws (L).

STEP 2:

Install lamps (G) by twisting into socket (H).

CLEANING

To clean, wipe fixture with a soft cloth. Clean glass with a mild soap. Do not use abrasive materials such as scouring pads or powders, steel wool or abrasive paper.

ORDERING PARTS

Keep this sheet for future reference, and in case you need to order replacement parts. Parts for this fixture can be ordered from place of purchase. Be sure to use exact wording from illustration when ordering parts.

WET LOCATION

NOTE: FOR FIXTURES LABELED FOR WET LOCATION AND USED OUTDOORS.

CAUTION: To reduce the risk of electrical shock, provide a watertight seal between the fixture and the mounting surface by using a silicone or similar caulking.

FIXTURES WITH A ONE PIECE LAMP / BALLAST COMBINATION

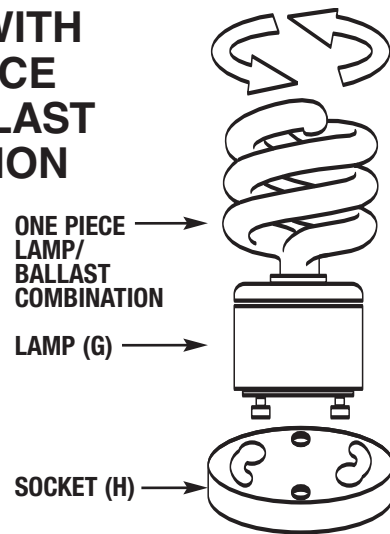


FIGURE 2