

INSTALLATION AND SAFETY INSTRUCTIONS

FOR YOUR SAFETY

WARNING: BE SURE THE ELECTRICITY TO THE WIRES YOU ARE WORKING ON IS SHUT OFF. EITHER THE FUSE REMOVED OR THE CIRCUIT BREAKER OFF .

GENERAL

You don't need special tools to install this fixture. Be sure to follow the steps in the order given. Under no circumstances should a fixture be hung on house electrical wires, nor should a swag type fixture be installed on a ceiling which contains a radiant type heating system. Read instructions carefully. **NOTE: Proper wiring is essential for the safe operation of this fixture. Read the instructions carefully. If you are unclear as to how to proceed, consult a qualified electrician.**

ASSEMBLY

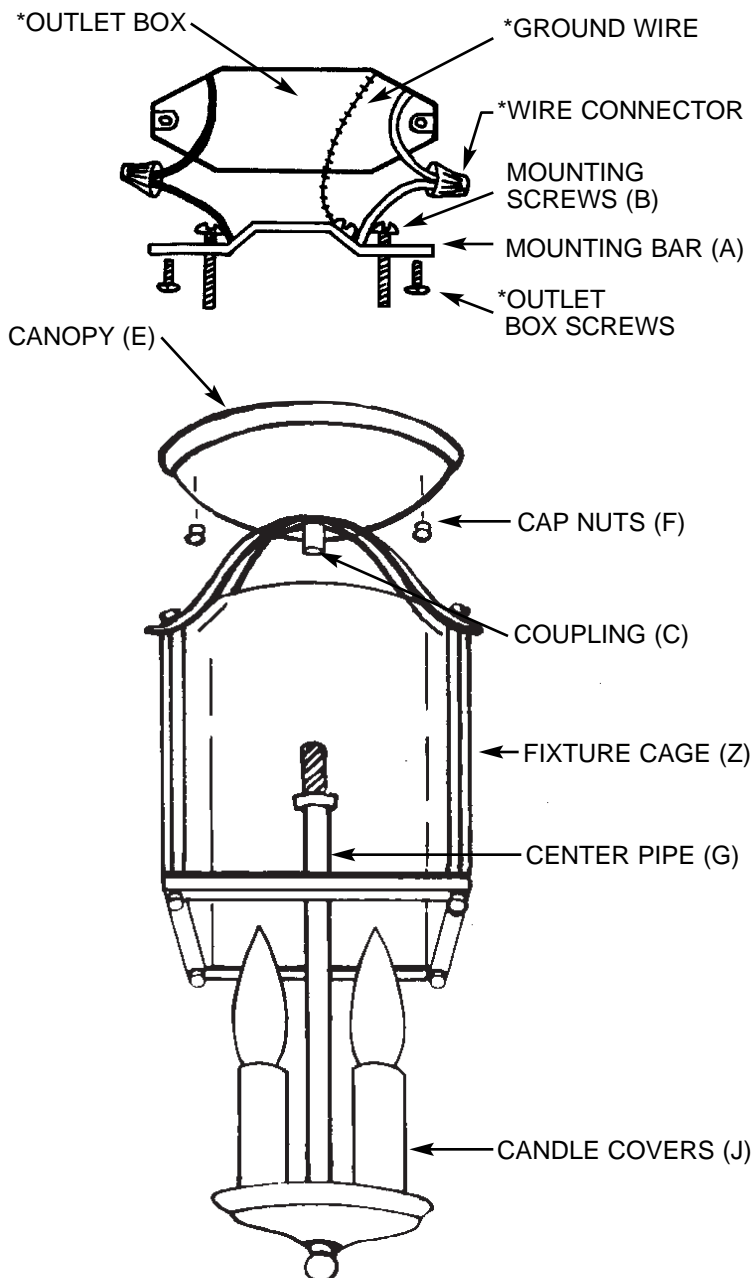
Carefully remove the fixture from the carton and check that all parts are included, as shown in Figure 1 & 2. Be careful not to misplace any of the screws or parts which are needed to install this fixture.

STEP 1:

NOTE: CENTERPIPE (G) assembly may be factory installed (If installed, proceed to next step).

Pass fixture wires thru coupling (C) and thread center pipe (G) into coupling (C) until secure.

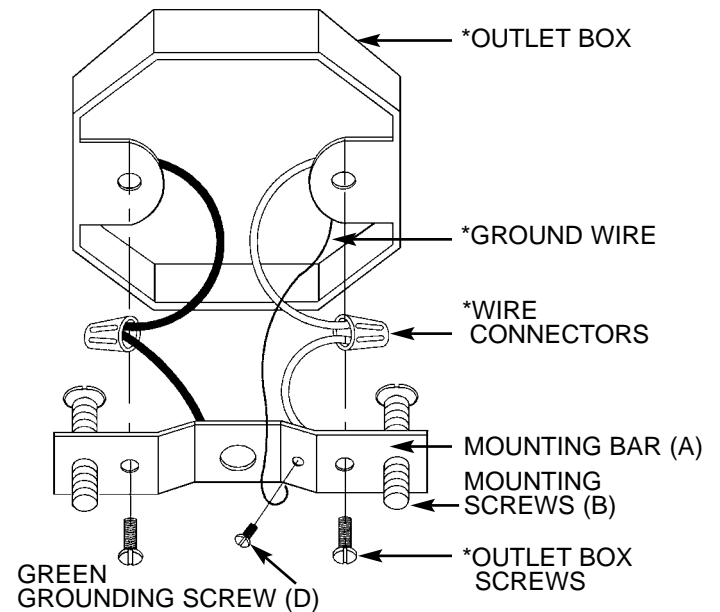
NOTE: FIGURE 1 ILLUSTRATES THE INSTALLATION OF YOUR NEW LIGHTING FIXTURE. THIS IS A REPRESENTATIVE DRAWING AND MAY NOT MATCH THE STYLE OF YOUR FIXTURE.



*NOT SUPPLIED

FIGURE 1

GROUNDING AND MOUNTING BAR LOCK UP



*NOT INCLUDED

FIGURE 2



sea gull lighting®

Installation And Safety Instruction

HC-100

031098

Line art shown may not exactly match the fixture enclosed. However, the installation instructions do apply to this fixture.

Fill In Item Number On Carton And

File This Sheet For Fixture Reference. ITEM# _____

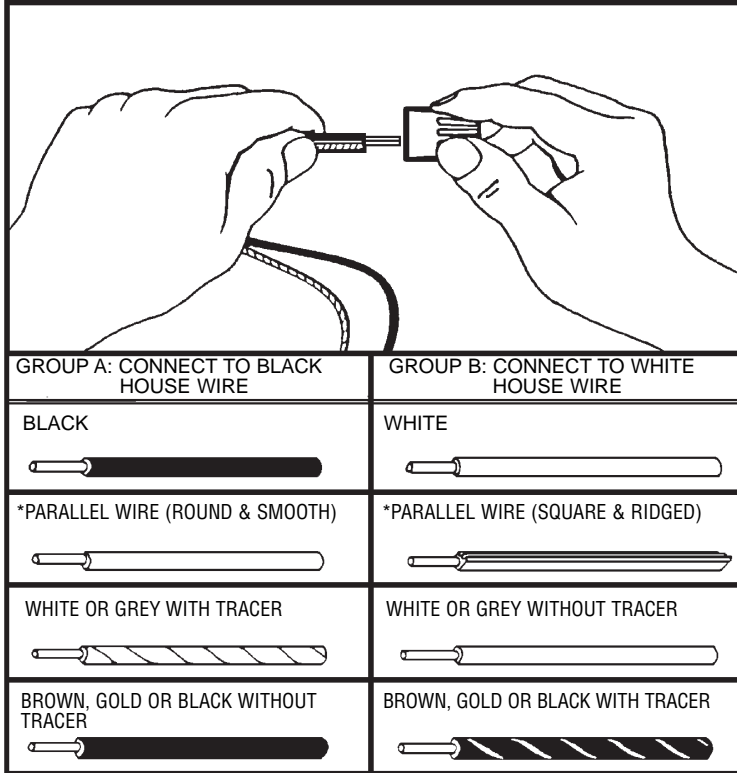
INSTALLATION

HC-100

IMPORTANT: DO NOT ATTACH FIXTURE DIRECTLY TO OUTLET BOX.

Thread mounting screws (B) in through top of mounting bar (A) (raised side is top, as illustrated). Run screw threads (B) all the way down to the heads. Secure mounting bar (A) to outlet box with the outlet box screws (not supplied).

A. Take note of the color of the wire(s) on your fixture. Identify which group your fixture wire(s) fall into and connect the wire(s) according to the directions below:



*NOTE: When parallel wire is used, the tracer wire is square shaped or ridged, and the less tracer wire is round in shape or smooth. (Seen best when viewed from wire end.) To separate wires, grasp the ends of each wire and pull apart.

B. Take your fixture wire(s) from group A and place evenly against the black wire from the outlet box. **DO NOT** twist wires together before using wire connectors.

C. Fit a wire connector (not supplied) over the wires and screw the connector clockwise until you feel a firmness.

D. Try gently to pull the connector off the wires. If you can pull the connector off, carefully re-do steps B and C, as above, and check again for a firm connection.

E. Connect the fixture wire from group B to the white wire from the outlet box in the same manner.

GROUNDING INSTRUCTIONS: The green grounding screw is to be inserted into the hole with two raised dimples provided on the mounting bar. Wrap the ground wire from the fixture (if supplied) and the ground wire from the outlet box (bare metal) or green insulated wire around the green grounding screw on the mounting bar.

NOTE: Underwriters Laboratories (U.L.) does not require all fixtures to have ground wires. These fixtures still meet all U.L. specifications. The listing mark of Underwriters on the product identifies products manufactured under its listing and Follow-Up Service Programs.

NEVER CONNECT GROUND WIRE TO BLACK OR WHITE POWER SUPPLY WIRES.

FINAL ASSEMBLY

Make sure no bare wires can be seen outside wire connectors.

STEP 1:

After wires are connect, tuck them carefully inside outlet box. Raise the canopy (E) to the ceiling allowing for mounting screws (B) to protrude through holes in canopy (E). Secure in place with cap nuts (F).

STEP 2:

Install candle covers (J).

STEP 3:

Install lamps.

CLEANING

To clean, wipe fixture with a soft cloth. Clean glass with a mild soap. Do not use abrasive materials such as scouring pads or powders, steel wool or abrasive paper.

ORDERING PARTS

Keep this sheet for future reference, and in case you need to order replacement parts. All parts for this fixture can be ordered from place of purchase. Be sure to use exact wording from illustration when ordering parts.

REPLACING GLASS

To replace glass, bend upper and lower tabs in corners of glass to be replaced. Install glass up through bottom of fixture. Bend tabs back as before.