

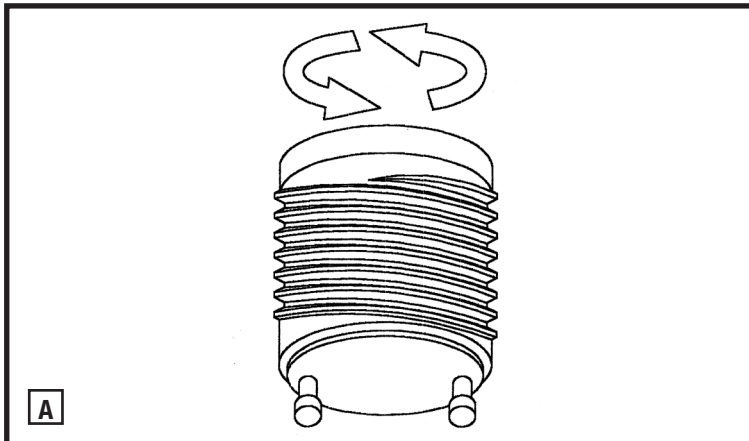
## BALLAST REPLACEMENT

- NOTE: The ballast is replaceable with the use of a qualified electrician without the cutting of wires.
- Turn Power off.
- Remove Diffuser.
- Replace ballast with the same model.

### REPLACE BALLAST DEPENDING ON BALLAST TYPE BELOW.

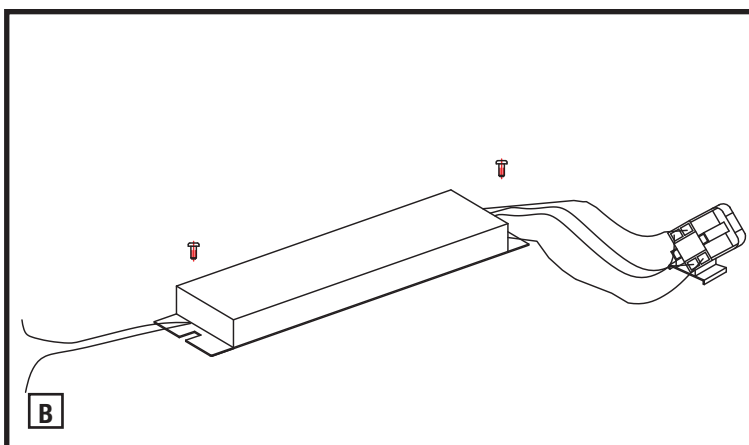
#### A. Twist Lock Ballast

- Pull lamp straight out.
- Twist ballast assembly and remove from base.
- Install new ballast by twistlocking into place.



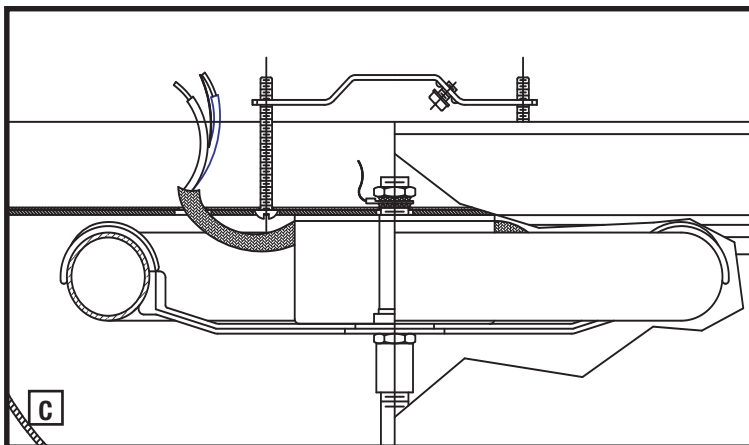
#### B. Square Cased Ballasts

- If applicable, disconnect the quick connect on the primary side of the ballast.
- Disconnect the secondary ballast wires to the socket by inserting a small screwdriver into the rear of the socket to release the wire lead, or disconnecting the wire nuts.
- Remove ballast mounting screws and remove ballast from fixture assembly.
- Replace ballast with the same model, secure ballast to fixture assembly, insert secondary ballast wires by pushing them into the rear of the socket, or with wire nuts, and make proper wiring connections to the supply wire.



#### C. Circline Ballasts

- Separate the 120v connection between the ballast and the house supply wire.
- Disconnect the secondary ballast wires to the lamp by disconnecting the plug.
- Remove ballast mounting screws and remove ballast from fixture assembly.
- Replace ballast with the same make and model, secure ballast to fixture assembly, make proper wiring connections to the supply wire and install the socket plug to the lamps.



#### D. Self-Ballasted Lamp

- Twist self ballast lamp assembly (from ballast) and remove from base. Be sure not to remove by twisting from spiral glass lamp.
- Install new ballast by twist-locking into place.

