

FIGURE 1



Addendum to the Fixture Instruction Sheet

A-775 050504

1. twist-lock ballast/socket assembly to socket base.
Make sure all assemblies are secure.

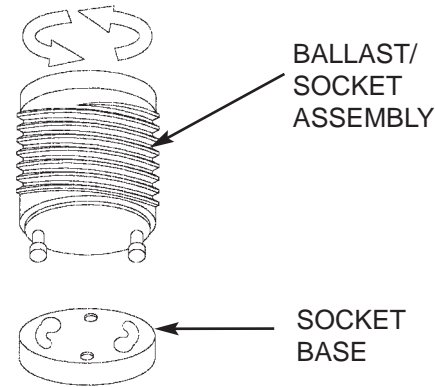


FIGURE 1



Addendum to the Fixture Instruction Sheet

A-775 050504

1. twist-lock ballast/socket assembly to socket base.
Make sure all assemblies are secure.

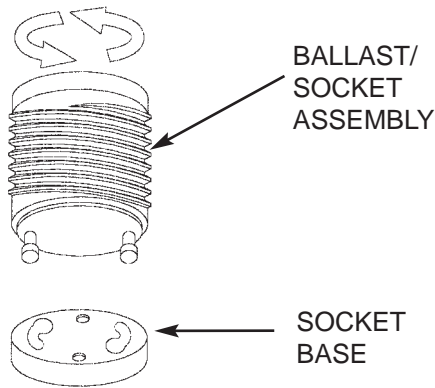


FIGURE 1



Addendum to the Fixture Instruction Sheet

A-775 050504

1. twist-lock ballast/socket assembly to socket base.
Make sure all assemblies are secure.

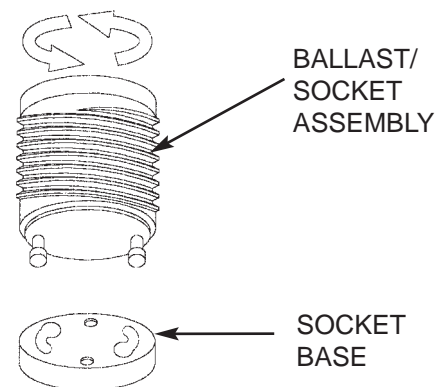


FIGURE 1



Addendum to the Fixture Instruction Sheet

A-775 050504

1. twist-lock ballast/socket assembly to socket base.
Make sure all assemblies are secure.