

# Self-Contained 120V LED

9826\_S 1.0

GENERATION LIGHTING

## UNDERCABINET

### GENERAL PRODUCT INFORMATION:

This product is safety listed for damp locations.

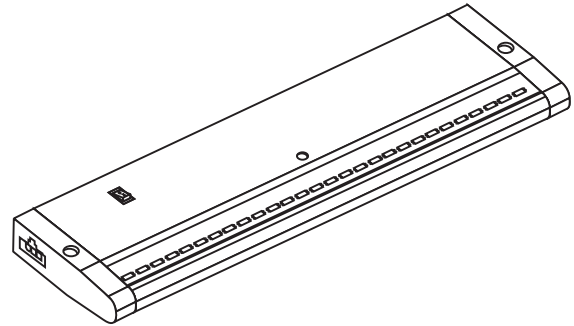
This product may be dimmed with a standard incandescent dimmer.

This instruction shows a typical installation.

#### CAUTION - RISK OF FIRE

This product must be installed in accordance with the applicable installation code by a person familiar with the construction and operation of the product and the hazards involved.

Use minimum 90°C supply conductors.



GENERATION LIGHTING

7400 Linder Ave, Skokie, IL 160077

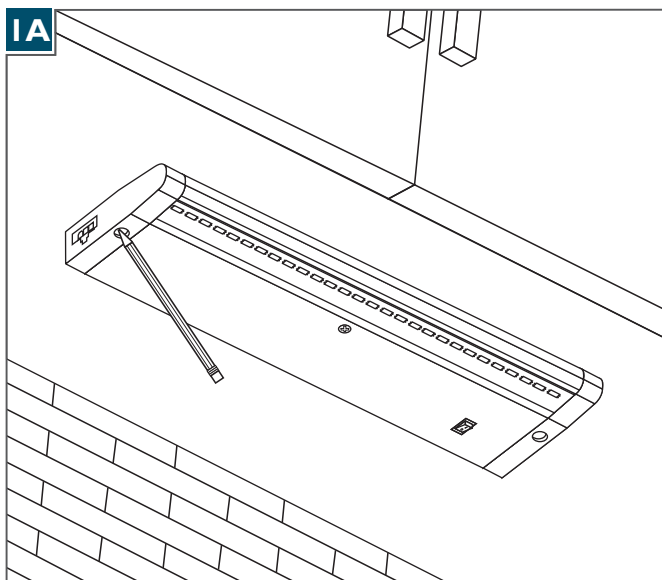
800.969.3347

[www.generationlighting.com](http://www.generationlighting.com)

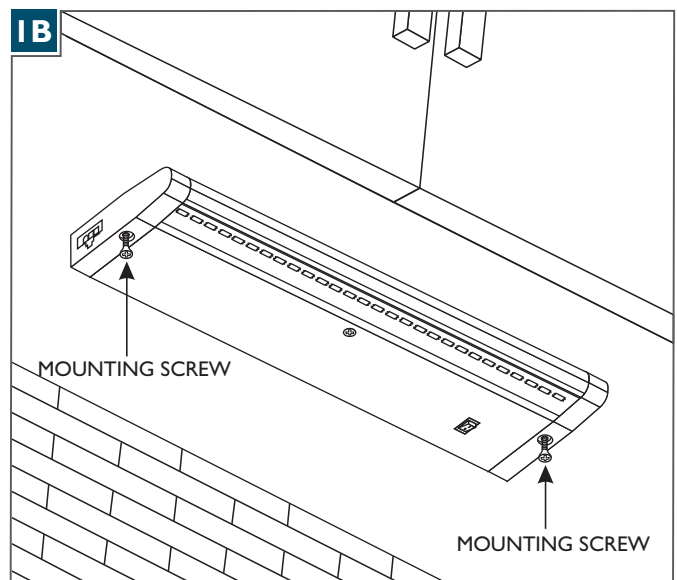
© 2019 Generation Lighting. All rights reserved.  
The "Generation Lighting" graphic is a registered trademark of Generation Lighting. Generation Lighting reserves the right to change specifications for product improvements without notification.

## Install the Fixture

**Note:** Multiple fixtures may be interconnected at any distance apart in accordance with NEC specifications.



- 1** Place and level the unit in the desired position.
- 2** Mark the two points under the cabinet through the mounting holes.

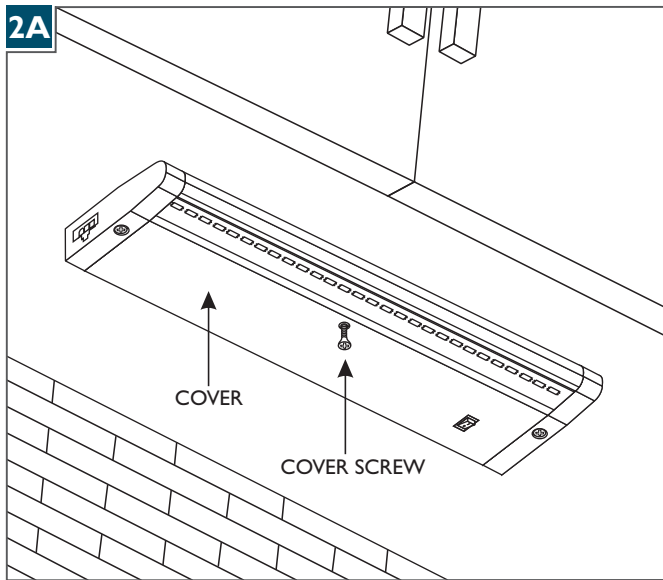


- 3** Secure the fixture with an appropriate sized mounting screws.

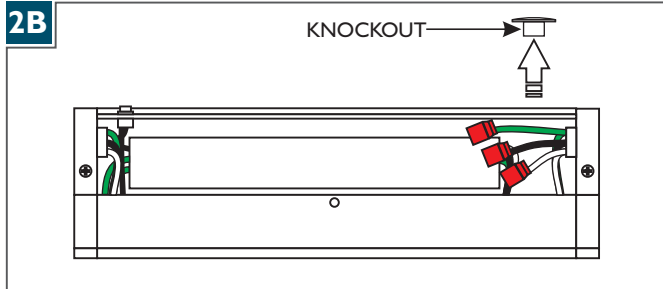
If **HARD WIRING** the fixture(s) go to **SECTION 2**.

If using a **PLUG-IN** for power, go to **SECTION 3**.

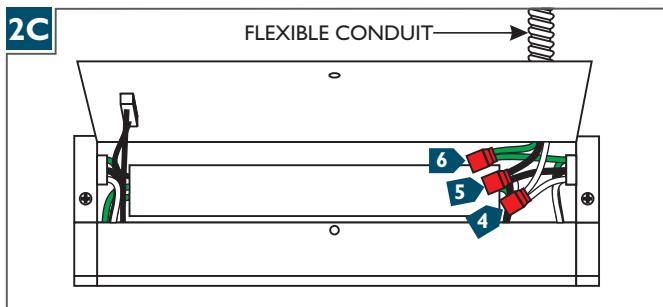
## Hard Wire the Fixture



- 1 Unscrew the cover screw(s) and swing open the cover.

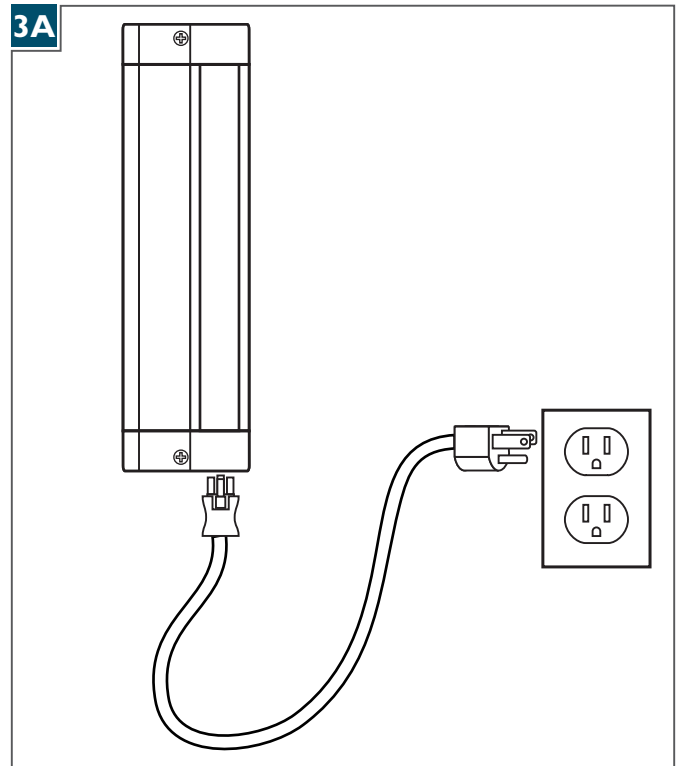


- 2 Determine the desired location of the conduit connection and remove one of the knockout from the back of the fixture.



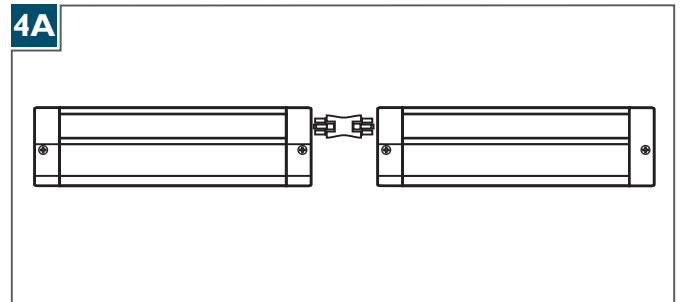
- 3 Install the conduit adapter to the determined knockout location and feed the flexible conduit and the power lines into the fixture. Secure it by tightening down the screw on the conduit adapter.
- 4 Push the neutral power line to the wire connector with the pre-installed white wire.
- 5 Push the hot power line to the wire connector with the pre-installed black wire.
- 6 Connect the fixture to a suitable ground in accordance with local electrical code.
- 7 Properly place the wires and wire connectors into the fixture, replace and secure the cover (reversal of step 2A).
- 8 Skip to Section 4 if using jumper connectors.

## Plug-In Wall Feed



- 1 Using the Plug-In Wall Feed, plug the Undercabinet unit directly into a wall outlet.

## Jumper Connector



- 1 Remove the connector cover and use the Jumper Connectors to link multiple Undercabinet units to one another.

**SAVE THESE INSTRUCTIONS!**